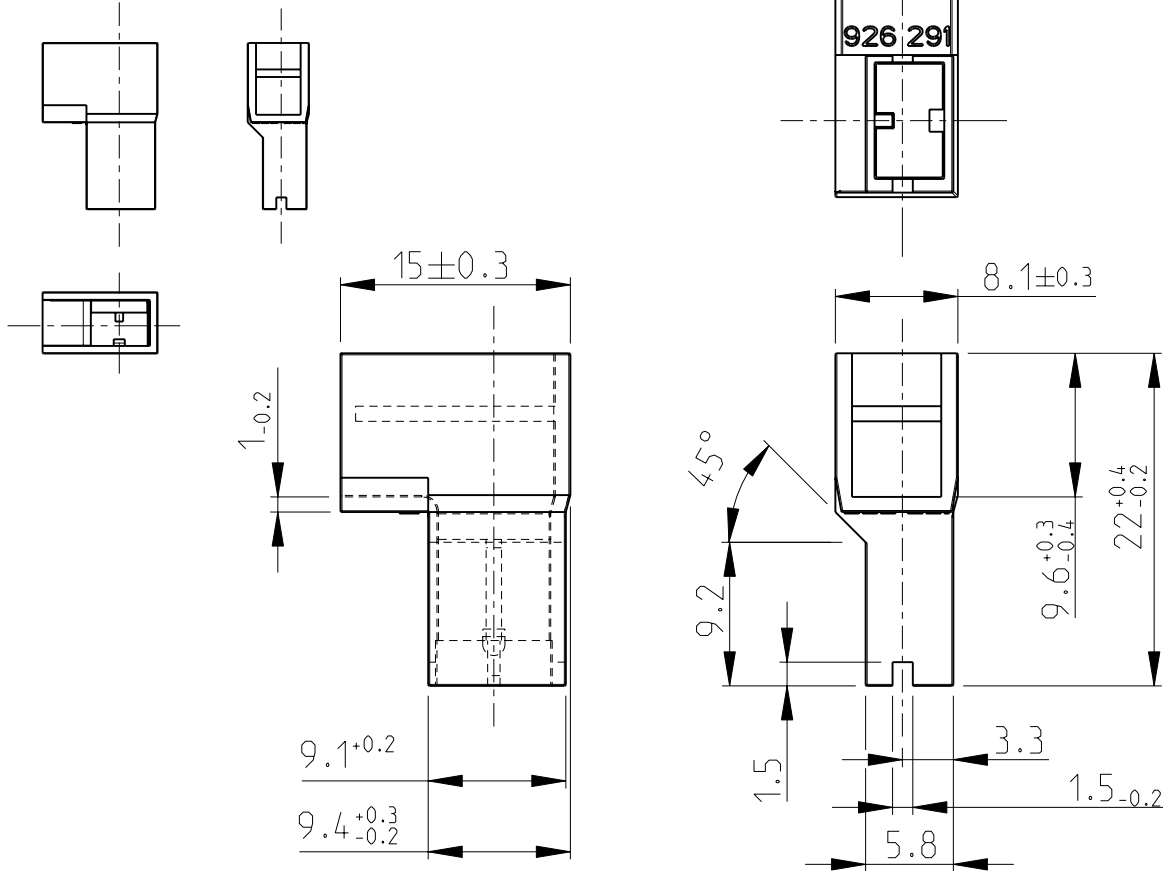


LOC	DIST	REVISIONS			
P	LTR	DESCRIPTION	DATE	DWN	APVD
A1	-	A	Umhuellungskreis hinzu	19.11.1979	
		B	Maß 9.4 +0,3/-0,2 ergaenzt	11.12.1979	
		C	Maß 22 +0,4/-0,2 war 22±0.3	30.6.1980	
		H1	NEW CAD DRAWING CREATED	20.8.2008	Raab Goe.

Maßstab
SCALE 1:1



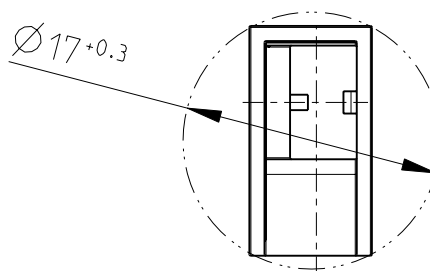
Bemerkungen
NOTES:



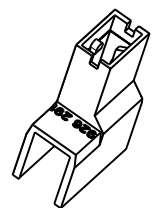
Nicht bemaßte Wanddicken 0.76_{-0.16}
WALL THICKNESS 0.76_{-0.16} EXCEPT AS NOTED



Nicht bemaßte Radien R 0.3^{+0.2}
ALL RADII 0.3^{+0.2} R EXCEPT AS NOTED



1:1



schwarz/ BLACK	PA 6.6	926291-1	H
natur/ NATURAL	PA 6.6	926291-2	H
COLOR	MATERIAL	PARTNUMBER	REV.

DIMENSIONS: mm	DWN Raab, S.	19AUG2008	MATERIAL	-	FINISH	-
	CHK Goepfel, C.	20AUG2008	Tyco Electronics AMP GmbH 64625 Bensheim (Germany)			
TOLERANCES UNLESS OTHERWISE SPECIFIED:	APVD Bleicher, M.	21AUG2008				
0 PLC ± 1 PLC ± 2 PLC ± ±0.2mm 3 PLC ± 4 PLC ± ANGLES ± 1.5°	PRODUCT SPEC	-	NAME Positive Lock Gehaeuse der Serie 6.3 90 Grad abgewinkelt POSITIVE LOCK FLAG HOUSING			
	APPLICATION SPEC	-	SIZE	CAGE CODE	DRAWING NO	RESTRICTED TO
	WEIGHT	0.7 g	A 4	00779	©=926291	-
	CUSTOMER DRAWING			SCALE	2:1	SHEET 1 OF 1